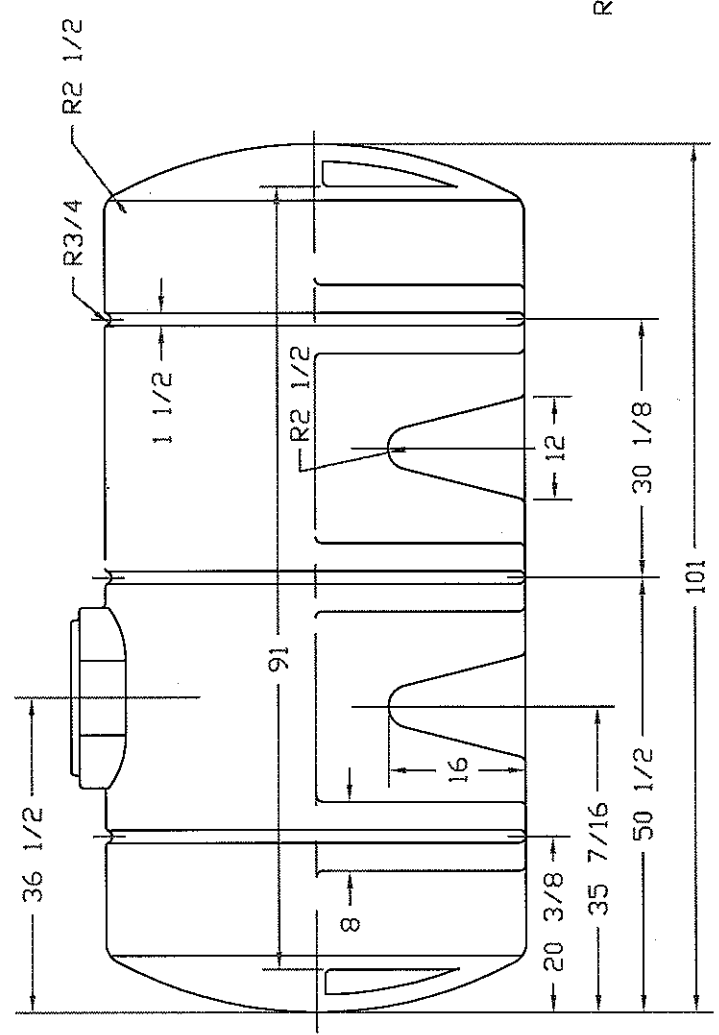
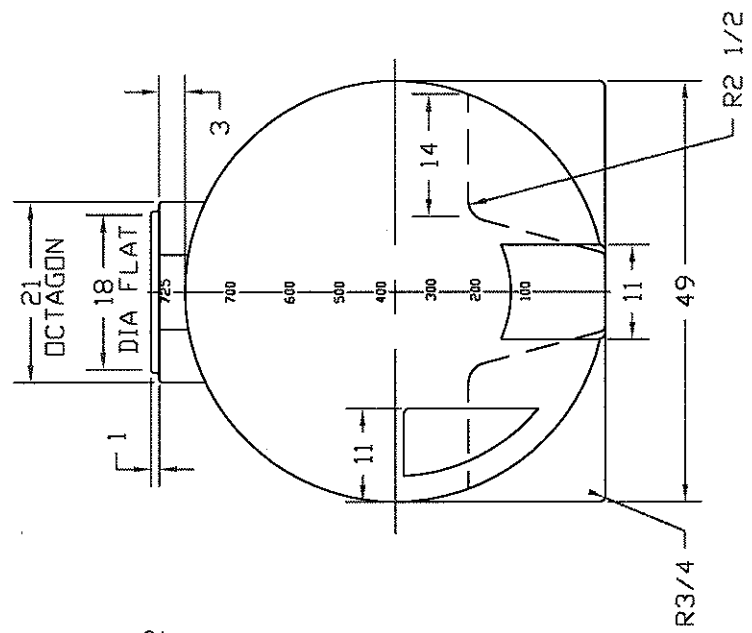


REVISIONS			
ZONE	REV	DESCRIPTION	DATE
	B	REDRAWN	14AUG97
			APPROVED



GALLON MARKS BOTH ENDS

<b>NORWESCO</b>		ST. BONIFACIUS, MN	
725 GALLON HORIZONTAL		LEG TANK	
JTP	14AUG97	SIZE	FSCM NO.
		B	DWG NO.
SCALE 1/16		SHEET	