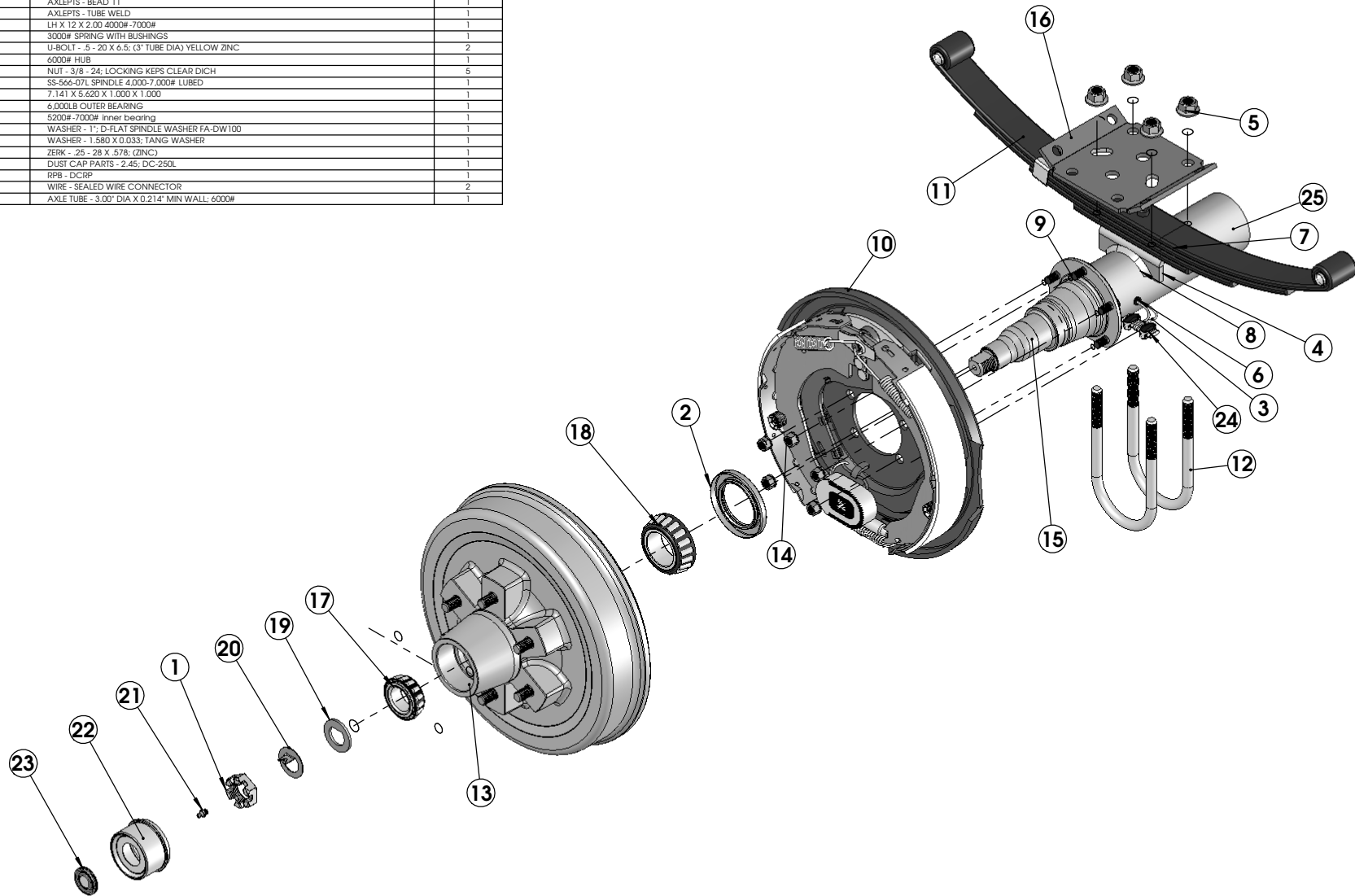


ITEM NO.	PART NUMBER	DESCRIPTION	QTY.
1	122081	NUT - 1 - 14; CASTLE	1
2	122088	SEAL - 2.226 X 3.376 X .375; (5200 - 7000)	1
3	126050	WIRE - W-09-01	1
4	125096	REINFORCED SPRING SEAT	1
5	122079	NUT - .5 - 20; YELLOW ZINC	4
6	127158	RPB - HW-901-00	1
7	127860	AXLE MISC - BEAD 10	1
8	127861	AXLEPTS - BEAD 11	1
9	131399	AXLEPTS - TUBE WELD	1
10	122259	LH X 12 X 2.00 4000#-7000#	1
11	126632	3000# SPRING WITH BUSHINGS	1
12	122070	U-BOLT - .5 - 20 X 6.5; (3" TUBE DIA) YELLOW ZINC	2
13	122094	6000# HUB	1
14	122077	NUT - 3/8 - 24; LOCKING KEPS CLEAR DICH	5
15	122455	SS-566-07L SPINDLE 4.000-7.000# LUBED	1
16	136344	7.141 X 5.620 X 1.000 X 1.000	1
17	122091	6.000LB OUTER BEARING	1
18	122056	5200#-7000# Inner bearing	1
19	119215	WASHER - 1"; D-FLAT SPINDLE WASHER FA-DW100	1
20	119216	WASHER - 1.580 X 0.033; TANG WASHER	1
21	122255	ZERK - .25 - 28 X .578; (ZINC)	1
22	122064	DUST CAP PARTS - 2.45; DC-250L	1
23	122065	RPB - DCRP	1
24	122084	WIRE - SEALED WIRE CONNECTOR	2
25	122446	AXLE TUBE - 3.00" DIA X 0.214" MIN WALL; 6000#	1

PART NO.	136338
Size:	LCI60-SB-89-70.8-SPOB-OS-L-655-72.26



LIPPERT COMPONENTS INC
A Division of Drew Industries
Axle Division
2703 College Ave.
Goshen, IN 46526
(574) 535-1125 Phone
(574) 534-0990 Fax

DIMENSIONS ARE IN INCHES
TOLERANCES:
FRACTIONAL: +/- 1/16"
.X: +/- 0.03
.XX: +/- 0.015
.XXX: +/- 0.005
ANGLE: +/- 1 DEGREE

SCALE: 1:24
PAGE: 1 OF 1

PROPRIETARY AND CONFIDENTIAL
THE INFORMATION CONTAINED IN THIS DRAWING IS THE SOLE PROPERTY OF LIPPERT COMPONENTS, INC. ANY REPRODUCTION IN PART OR AS A WHOLE WITHOUT THE WRITTEN PERMISSION OF LIPPERT COMPONENTS, INC. IS PROHIBITED.

Mat. Type:		Blank Size:	
Mat. Grade:		DWG. NO.	136338
Mat. Class:		Customer:	LIPPERT
Gauge:		DRAWN BY:	R. WAGNER
Decimal:		DATE	12/27/06
Blk. Weight:		APPR. BY:	B. BAILEY
WEIGHT:		DATE	12/27/06
		REV.	A