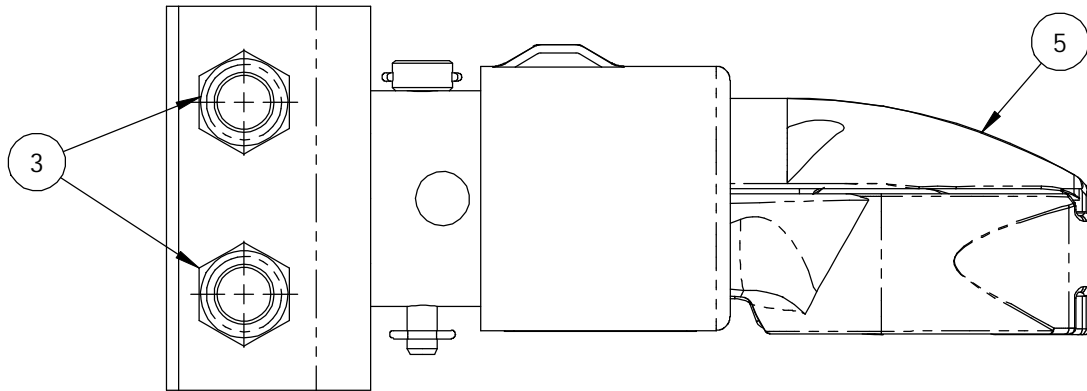


| ITEM | PART NO. | DESCRIPTION | QTY. |
|------|----------|--------------------------------|------|
| 1 | 024204 | 5/8" - 11 X 4.5" HEX CAP SCREW | 2 |
| 2 | 025201 | SNAPPER PIN & CHAIN ASS'Y | 1 |
| 3 | 0227060 | LOCKNUT - 5/8-11, | 2 |
| 4 | 025393 | CPLR LABEL CLASS 4 (3B) PIN | 1 |
| 5 | 0255075 | 3B6M ADJ. COUPLER ASSY. | 1 |

NOTES:

1. LABELS, SNAPPER PIN & CHAIN, AND BOLTS & NUTS ATTACHED TO COUPLER AS SHOWN.

MODEL - 3B6M
 CAPACITY - 7,000 LBS.
 WEIGHT - 10.50 LBS.



KEY CHARACTERISTICS **KC** DO NOT DIMINISH THE SUPPLIERS RESPONSIBILITY TO REVIEW ALL ASPECTS OF THE DESIGN.

THIS DRAWING IS THE PROPERTY OF CEQUENT TRAILER PRODUCTS, ALL INFORMATION THEREON IS CONFIDENTIAL AND MUST NOT BE MADE PUBLIC, NOR COPIED, NOR USED TO THE DISADVANTAGE OF CEQUENT TRAILER PRODUCTS, AND IS SUBJECT TO RETURN ON DEMAND.



1050 Indianhead Dr.
 Mosinee, WI 54455
 PH (715) 693-1700
 FX (715) 693-1799

DIMENSIONAL TOLERANCES UNLESS OTHERWISE SPECIFIED:

DECIMALS: .X = ±.015
 .XX = ±.010
 .XXX = ±.005
 ANGLES = ±2°

| | | | |
|-------|----|------|----------|
| DRAWN | HL | DATE | 12/01/99 |
|-------|----|------|----------|

| | | | |
|-------|-----|------------|-----|
| SCALE | 1:2 | HEAT TREAT | N/A |
|-------|-----|------------|-----|

| | |
|--------|-----|
| FINISH | N/A |
|--------|-----|

DRAWING TITLE

3B6M ADJ. COUPLER ASSY.

| REV. | DESCRIPTION | ECO | BY | DATE |
|------|-------------------------------|--------|-----|----------|
| B | UPDATED PER REVISED COMPONENT | 12723 | TAT | 4/9/2010 |
| A | UPDATED ITEM 5 | 12528 | JJA | 9/11/09 |
| 1 | EXP- RELEASE; IT#5 WAS 028341 | NP2187 | JJA | 8/15/08 |
| RE | 0227060 WAS 024205 | 11362 | CAV | 09/05/07 |

DIMENSIONS ARE IN INCHES

DO NOT SCALE DRAWING

MATERIAL

NOTED

| | | |
|------|----------------|----------|
| SIZE | DRAWING NUMBER | REVISION |
|------|----------------|----------|

A

028390

B