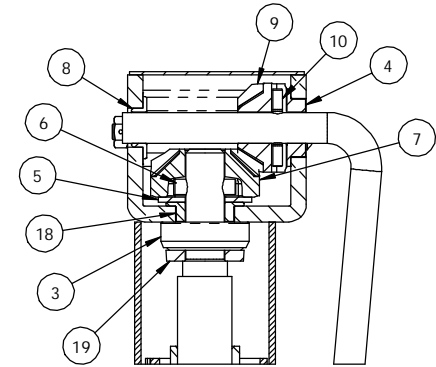


ITEM	PART NO.	DESCRIPTION	QTY.
1	700531	OUTER TUBE & MOUNT	1
2	710422	ASSY, INNER TUBE W/S&N	1
3	001020	THRUST BEARING	1
4	021277	BUSHING, HEX	1
5	016135	WASHER, .08" X .631" ID - HT TRTD	1
6	009129	DOWEL PIN, 1/4" X 1.00" LG.	1
7	020043	BEVEL GEAR	1
8	017011	BUSHING, FLANGE	1
9	020012	PINION GEAR	1
10	009008	GROOVE PIN, 5/32"	1
11	700026	PULL PIN ASSEMBLY, 5/8"	1
12	1027059	SCREW - #12-24 X .375 LG HEX HD	1
13	700380	CRANK, SW ASSY - 8.5	1
14	016041	COVER, GEARBOX	1
15	002011	BOLT, 1/4-20X3.12" CARR	2
16	008002	NUT, 1/4-20 HEX LOCK	2
17	005024	PIVOT TUBE, (3" O.D., 5/8" PIN)	1
18	021273	BUSHING, PM .630" ID, HEX	1
19	016146	WASHER, SUPPORT 5K SQ. .179 THK.	1
20	F3351	LABEL, CAPACITY	1



SECTION A-A
SCALE 1:2

OUTER TUBE - 13.0"
FINISH - 17 DIP PRIME PAINT
INNER TUBE - 13.5"
FINISH - 01 CLEAR ZINC PLATE
SCREW - 7/8-8 X 13.25"
TRAVEL - 10.0"
VERTICAL LIFT CAPACITY - 7000#
TUBE MOUNT - ATTACHED W/PIN
Ø5/8" PIN W/CHAIN

THIS DRAWING IS THE PROPERTY OF CEQUENT TRAILER PRODUCTS. ALL INFORMATION THEREON IS CONFIDENTIAL AND MUST NOT BE MADE PUBLIC, NOR COPIED, NOR USED TO THE DISADVANTAGE OF CEQUENT TRAILER PRODUCTS, AND IS SUBJECT TO RETURN ON DEMAND.

1050 Indianhead Dr.
Mosinee, WI 54455
PH (715) 693-1700
FX (715) 693-1799

CEQUENT
DRAWING TITLE

REV.	DESCRIPTION	ECO	BY	DATE
C	REVISED INTERNALLY, F3351 WAS F3292, ADD TUBE FINISHES	10614	JFM	06/01/06
B	1027059 WAS 015625	9893	KMR	05/18/05
A	F3292 WAS 015777	9545	KMR	08/26/04
RE	CEQUENT CONVERSION	8738	KMR	12/04/03

DIMENSIONAL TOLERANCES UNLESS OTHERWISE SPECIFIED:
DECIMALS: X = ± 0.015
.XX = ± 0.010
.XXX = ± 0.005
ANGULAR = ± 2.0

DIMENSIONS ARE IN INCHES
DO NOT SCALE DRAWING

DRAWN: TRL
SCALE: 1:3
FINISH: N/A
MATERIAL: NOTED

DATE: 07/30/86
HEAT TREAT: N/A

SWS 198 DTSM W/P&C

SIZE: B
DRAWING NUMBER: 198150
REVISION: C