



WATER TRAILERS
PARTS GUIDE
(Index on Page 13)

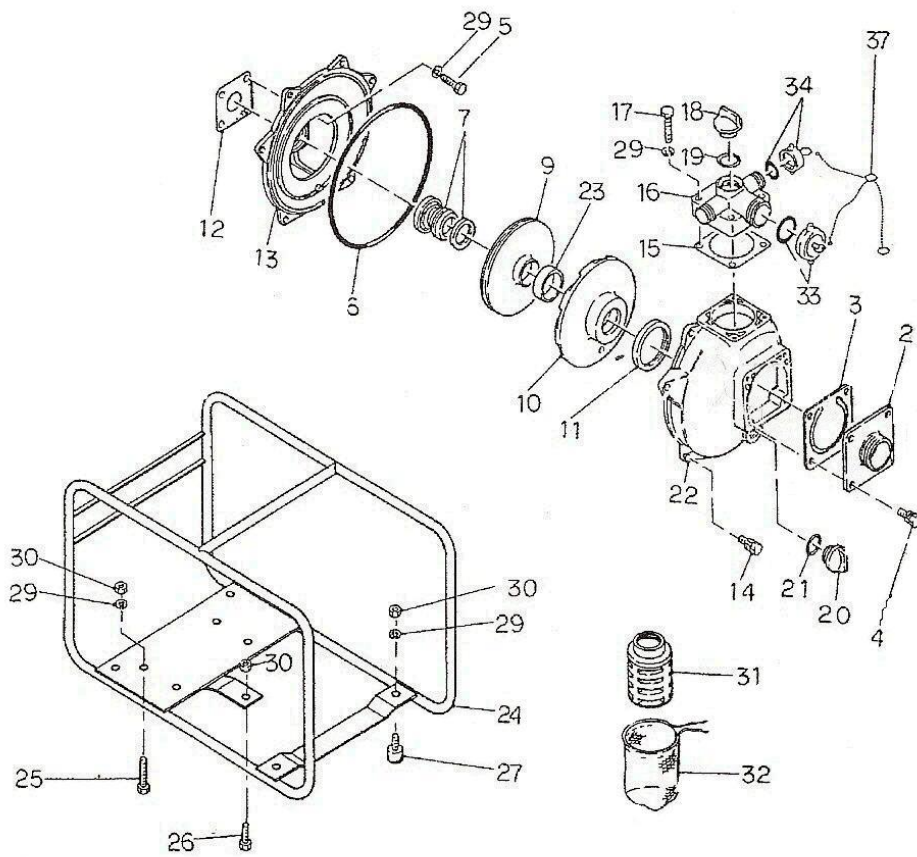
Arizona Trailer Specialists, Inc.
dba C&I Equipment Co.
1684 S. Research Loop, Suite 508
Tucson, AZ 85710

888-580-8330 or 520-579-7458 or 520-579-7439 (Fax)
E-Mail address: bw@ciequip.com
Web Site address: ciequip.com

High Pressure Centrifugal Pump QP-205SH

<u>NO.</u>	<u>PART NO.</u>	<u>PART NAME</u>	<u>QTY.</u>
		ENGINE EY200D (Honda GX160)	1
2	1814100160	SUCTION COVER NPT2"	1
3	1378350350	CHECK VALVE	1
4	0181050825	BOLT SET W/SPRING WASHER	
		SUCTION COVER M8X25	4
5	0191150525	BOLT W/SPRING WASHER	4
		CASING COVER 5/16"X24UNFX25	
6	0489352550	O-RING CASING 3.5 X 255 DIA	1
7	0803112320	MECHANICAL SEAL HJTMNL-12	1 SET
9	1814060030	IMPELLER 5/8-18 UNF	1
10	1803100130	VOLUTE CASING PACKING	1
11	1378330620	VOLUTE CASING PACKING	1
12	1211390610	CASING COVER PACKING 84X84	1
13	9358100020	CASING COVER	1
14	0181050825	BOLT SET W/SPRING WASHER	6
		CASING M8X25	
15	1803330360	DELIVERY COVER PACKING	1
16	1814100090	DELIVERY COVER 3 WAY OUTLET NP1"XNPT 11/2"	1
17	0105050845	BOLT DELIVERY COVER M8X45	4
18	0631211100	FLOODING CAP PF1"	1
19	0480350300	O'RING FLOODING CAP P30	1
20	0631211100	DRAIN CAP PF1"	1
21	0480350300	O'RING DRAIN CAP P30	1
22	1814100010	CASING	1
23	1803521220	LINER RING	1
24	1381214010	BASE	1
25	0105050840	BOLT ENGINE M8X40	4
26	0181050820	BOLT SET W/SPRING WASHER PUMP M8X20	1
27	0723323040	CUSHION RUBBER DIA 40 H30 M8	4
29	0451250080	SPRING WASHER M8	12
30	0205450080	NUT ENGINE CUSHION RUBBER M8	9
31	0742303050	STRAINER NPT2"	1
32	0920312013	NYLON NET	1
33	1806998050	CHAIN CAP (L) NPS 11/2"	1
34	1806998070	CHAIN CAP (S) NPS 1"	2
37	1814209660	CAP ASSY.	1

TO ORDER PARTS OR LOCATE A DEALER,
CALL C&I EQUIPMENT CO. @ 888-580-8330

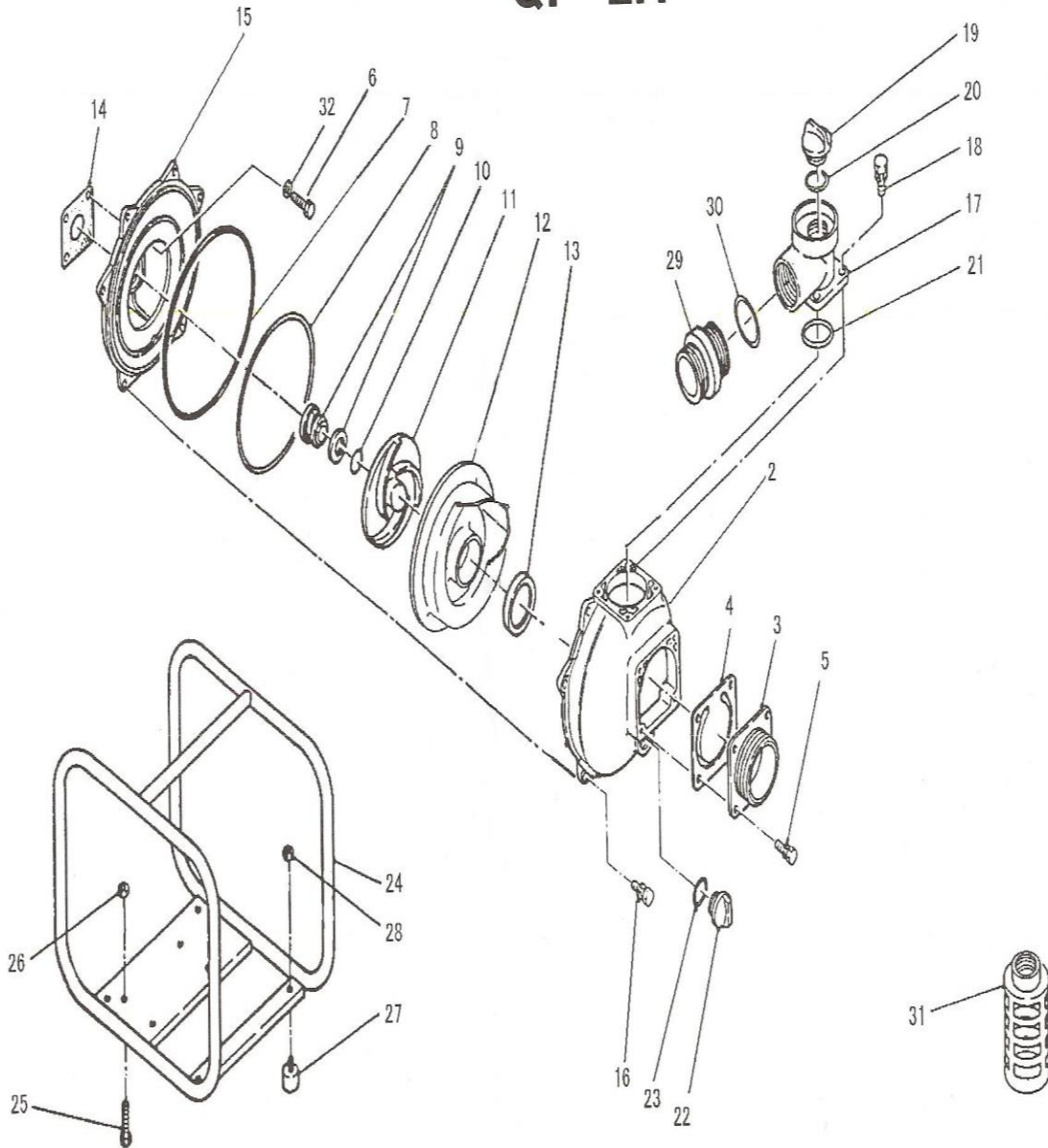


Centrifugal Pump QP-2H

<u>NO.</u>	<u>PART NO.</u>	<u>PART NAME</u>	<u>QTY.</u>
		ENGINE (HONDA GX120)	1
2	7204-100010	CASING	1
3	7204-000160-0014	SUCTION COVER NPT2"	1
4	1889-350351	CHECK VALVE	1
5	018105-0820	BOLT SET W/SPRING M8 X20	3
		WASHER (SUCTION COVER)	
6	0181050820	BOLT SET W/SPRING WASHER (CASING COVER) 5/16-24UNF-20	4
7	0489242100	O'RING CASING DIA. 2.4 x 210	1
8	0489241780	O'RING VOLUTE CASING DIA. 2.4 x 178	1
9	0803442320	MECHANICAL SEAL EH791TF12	1 SET
10	0852831600	ADJUST LINER DIA. 16 t0.3	1-3
10	0852831600	ADJUST LINER DIA. 16 t0.5	1-3
11	9258000030	IMPELLER	1
12	1808000130	VOLUTE CASING	1
13	1293330620	VOLUTE CASING PACKING	1
14	1211390610	CASING, COVER PACKING t 1.0	1
15	9258100020	CASING, COVER	1
16	0181050825	BOLT SET W/SPRING WASHER DELIVERY ELBOW M8 x 25	4
17	9246100090	DELIVERY ELBOW NPS2"	1
18	0181050820	BOLT SET W/SPRING WASHER CASING M8 x 20	4
19	0631211100	FLOODING CAP PF1"	1
20	0480350300	O'RING FLOODING CAP P30	1
21	0481310550	O'RING DELIVERY ELBOW G55	1
22	0631211060	DRAIN CAP PF	1
23	0480240220	O'RING DRAIN CAP P22	1
24	1808214010	BASE	1
25	0105050840	BOLT ENGINE M8 x 40	4
27	0451250080	SPRING WASHER M8	4
28	0205450080	NUT ENGINE M8	4
29	0723322030	CUSHION RUBBER DIA. 30 H20 M6	4
30	0451250060	SPRING WASHER M6	4
31	0205450060	NUT CUSHION RUBBER M6	4
32	0790432020	NIPPLE DELIVERY NPS2" x NPT2"	1
33	0481310550	O'RING NIPPLE G55	1
34	0742303050	STRAINER NPT2"	1

TO ORDER PARTS OR LOCATE A DEALER,
CALL C&I EQUIPMENT CO. @ 888-580-8330

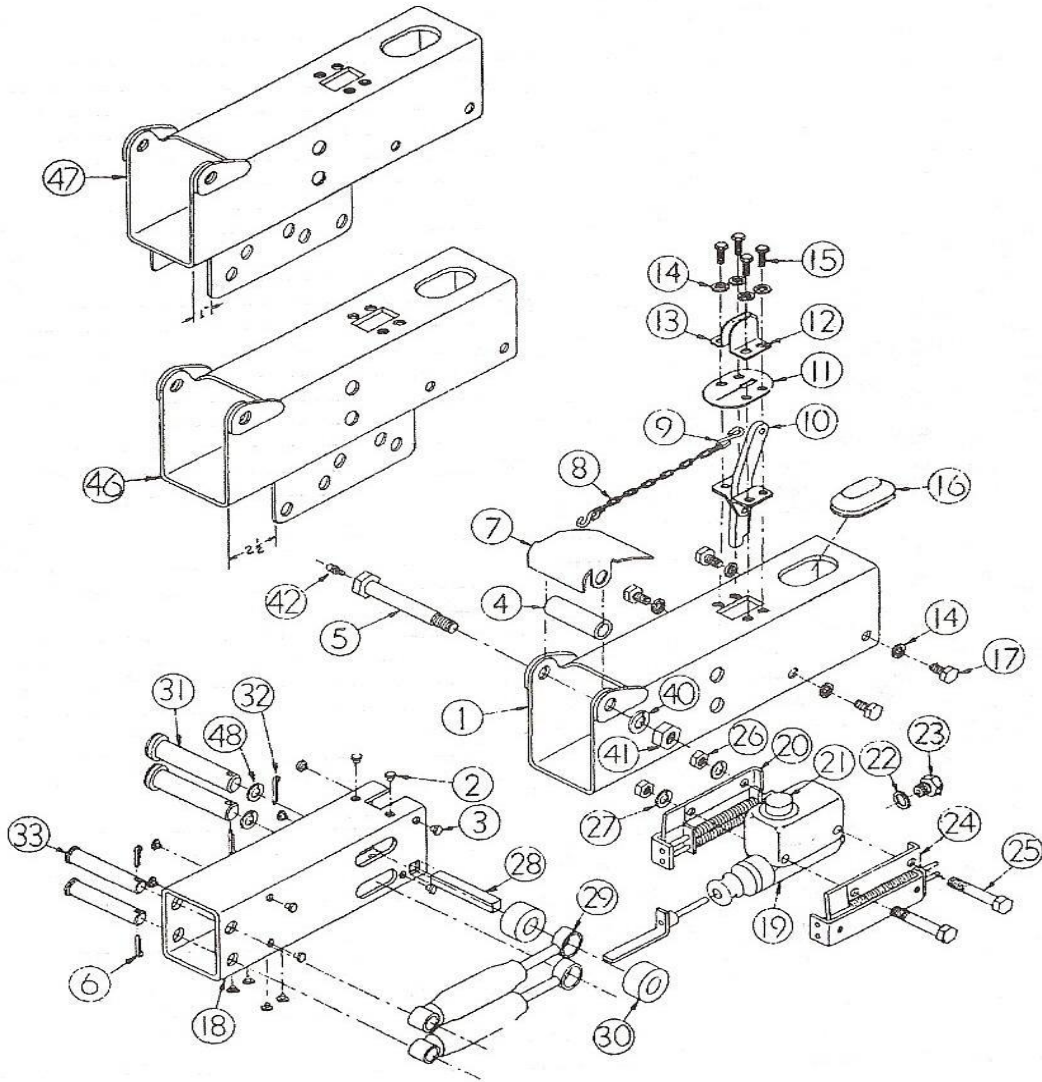
QP-2H



DICO-MODEL 10 ACTUATOR PARTS LIST

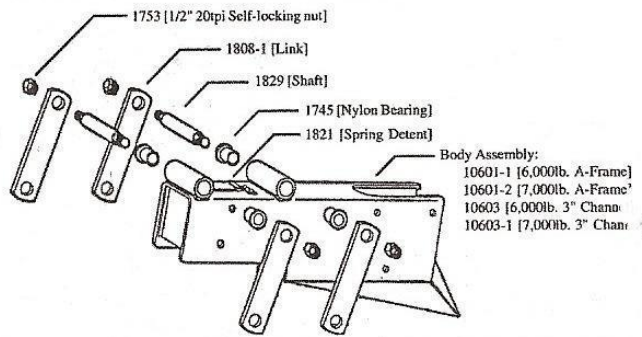
<u>REF#</u>	<u>PART#</u>	<u>DESCRIPTION</u>	<u>QTY.</u>
1	1601600	Outer Case	1
2	1029000	Bearing (Top & Bottom)	6
3	1242700	Bearing (Side)	8
4	1601900	Front Roller	1
5	0828800	Front Roller Bolt	1
6	0799700	Cotter Pin 1/8 x 1	2
7	1601800	Front Roller Cover	1
8	0776800	Breakaway Chain	4 ft.
9	1055500	S-Hook	2
10	1054100	Breakaway Lever Assembly	1
11	1055200	Weather Seal	1
12	1052600	Breakaway Lock – Left	1
13	1052700	Breakaway Lock – Right	1
14	0793800	Lockwasher 5/16 Std.	8
15	0794900	Bolt – Hex 5/16-18 NC x 5/8	4
16	1507000	Cylinder Cover	1
17	0794800	Bolt – Hex 5/16-18 NC x 1/2	4
18	1593300	Inner Slide	1
19	2374400	Master Cylinder 1-1/4" Bore	1
20	0838800	Cylinder Bracket, Right Hand	1
21	1250300	Filler Cap (Included in 2374400)	1
22	0774500	Gasket	1
23	1209900	Orifice Connector, .015"	1
24	0838900	Cylinder Bracket, Left Hand	1
25	0827100	Bolt – Hex 3/8-16 NC x 3"	2
26	0797600	Nut – Hex 3/8-16 NC	2
27	1255200	Star Lockwasher 3/8	2
28	0830100	Push Rod Block	1
29	1242600	Damper	2
30	0829100	Rear Roller	2
31	1593500	Master Pin	2
32	0815200	Cotter Pin 3/16 x 1-1/4	2
33	1593400	Damper Pin	2
40	0793700	Lockwasher 1/2	1
41	0798500	Hex Nut 1/2-13 NC	1
42	0144901	Grease Zerk	1
46	2477700183	Outer Case, 2-1/2" Offset Plated	1
47	2478200	Outer Case, 1" Offset Plated	1
48	1861900	Nylon Washer	2
	2374600	Drum Brake Master Cylinder Assy. complete with brackets	1
	4749500	Drum Brake Cylinder Assy. complete with brackets	1
	47504003	Backup Valve Kit	1

**TO ORDER PARTS OR LOCATE A DEALER,
CALL C&I EQUIPMENT CO. @ 888-580-8330**

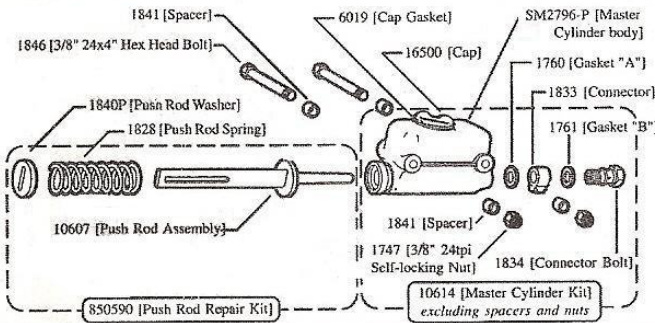


**TO ORDER PARTS OR LOCATE A DEALER,
CALL C&I EQUIPMENT CO. @ 888-580-8330**

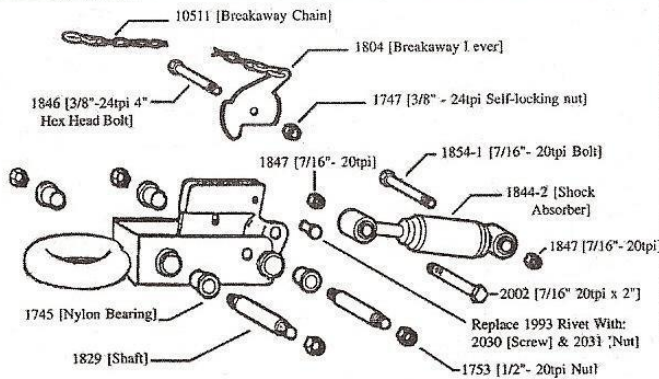
MAIN ACTUATOR BODY COMPONENTS



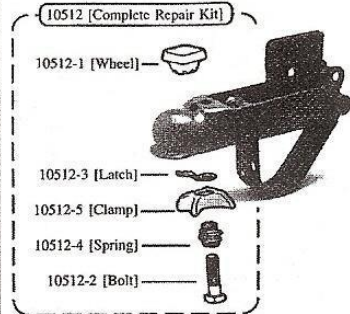
MASTER CYLINDER COMPONENTS



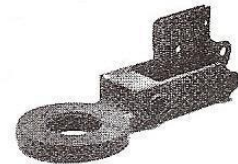
INTERNAL ACTUATOR COMPONENTS



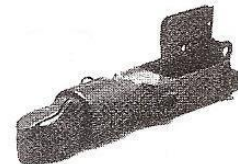
REPLACEMENT COUPLERS



Fulton Coupler Assemblies:
10605-2 [W/Skid Bar (as shown)]
10605-1 [Without Skid Bar]



Lunette Couplers
10632-G [3" Solid Lunette]
10632-2 [2-1/2" Milled Lunette x 3,500lbs.]
10632-3 [2-1/2" Lunette x 6,000lbs.]



Bulldozer Heavy-Duty Couplers
10686 [Bulldog 2C (2"x 5,000lbs.)]
10682-1 [Bulldog 3BXM (2"x 7,000lbs.)]
10638 [Bulldog 4BXM (2-5/16"x 7,000lbs.)]



Block-style Coupler
10632-1 [Block Adapter]
Facilitates Welding of Custom Couplers

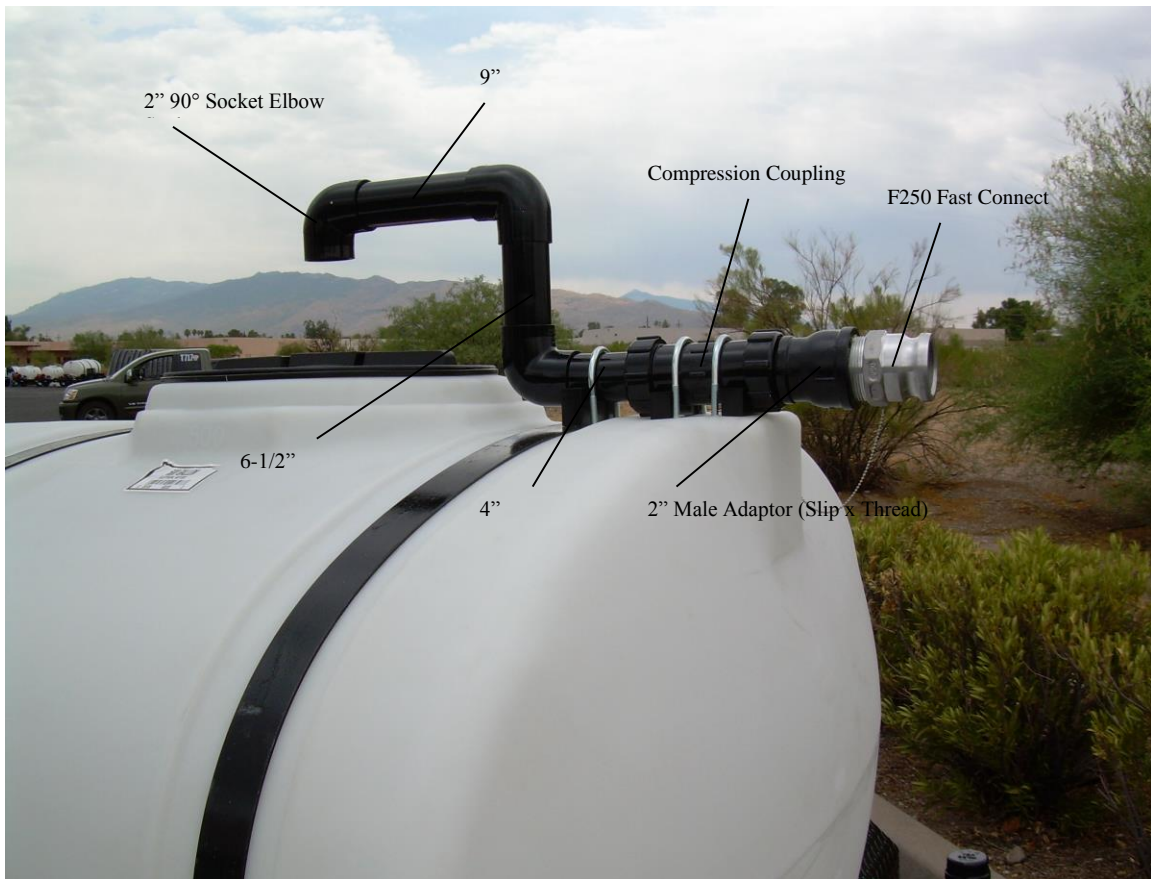
**To order parts or locate a dealer,
Call C&I Equipment Co. @ 888-580-8330**

Surge Brakes

<u>Part Number</u>	<u>Description</u>
	10" 555 Bake Hub-COMLETE
363231.1	10" LH Hydraulic Backing Plate
363231.2	10" RH Hydraulic Backing Plate
363900	7/16" Backing Plate Stud
363312	7/16" Backing Plate Stud Nut
6112	10" Primary Shoe & Lining Kit
6117	10" 2 nd Shoe & Lining Kit
363182	7" and 10" Dust Caps
363258	Cotter Pin
363253	Castle Nut
363259	Spindle Washer
L68149	Inner Bearings
L44649	Outer Bearings
L68111	Inner Race
L44610	Outer Race
10952	10" Hydraulic Shoe Kit – Front
10953	10" Hydraulic Shoe Kit – Rear
977600	RH Hydraulic Wheel Cylinder Assembly
977700	LH Hydraulic Wheel Cylinder Assembly

Available at local hardware outlets,
Or call C&I Equipment Co. @ 888-580-8330

Compression Fitting Hydrant Fill Pipe



ALL pipe is 2" PVC Schedule 40

To order parts or locate a dealer,
Call C&I Equipment Co. @ 888-580-8330

Lights

Part #'s

SS 54ATD-Amber

SS 54TD-Orange



Description:
Oval Reflector

PM M436B



License Bracket
W/ Light

PM M421KR



Oval Submersible
Tail Light
Hose Package

Wheel

Part #

ST 225 75D15C-55D



Tire & Wheel 15"
5 x 5.5

WDHP



Hose Package

Polyethylene Lid

Part #'s

63485



Description:
16" Lid with
Blue Snap

Tank

40328



500 Gallon
Elliptical Tank

Polypropylene Fittings

60337



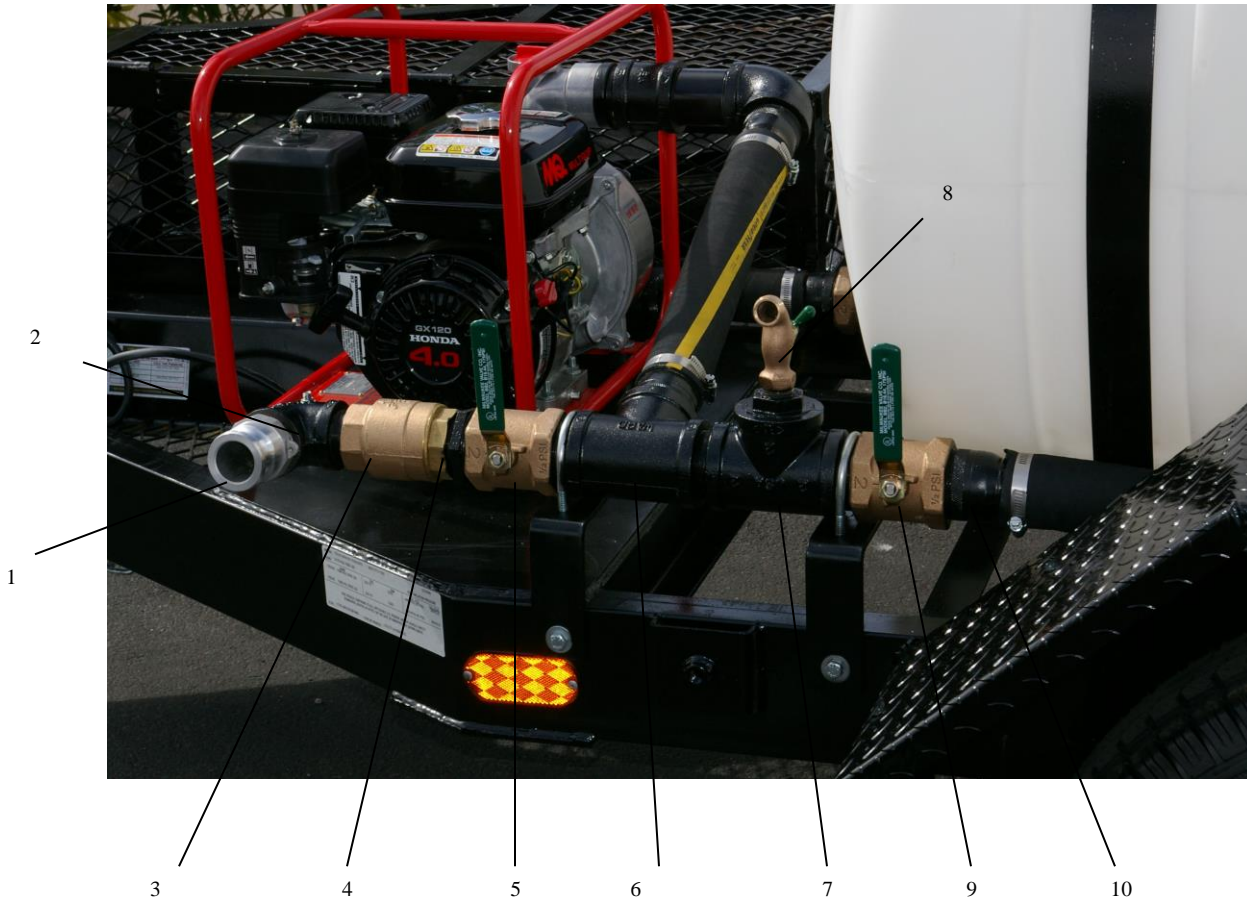
2" Tank Adapter
with Siphon Tube

**To order parts or locate a dealer,
Call C&I Equipment Co. @ 888-580-8330**

2 Valve Control Manifold

<u>Part #</u>	<u>Description</u>
1	1-1/2" Aluminum Quick Disconnect Male Pipe Thread x Male Cam Lock
2	1-1/2" Black Malleable 90° ELL
3	Watts Number 600 1-1/2" Spring Check Valve
4	2" x 1-1/2" Black Malleable Bushing
5	2" Milwaukee BB2100-200 Bronze Butterball Valve
6	2" Black Malleable Tee
7	2" x 3/4" Black Malleable Tee
8	3/4" Arrowhead 302 Brass Male Hose Bibb
9	2" Milwaukee BB2100-200 Bronze Butterball Valve
10	2" King Combo

(Front valve controls the Fire Hose & Rear valve controls the Rear Spray Heads)



INDEX

Actuator, 6,7,8

Brakes, 9

Centrifugal Pump, 4

Couplers, 8

Dico 10 Actuator, 6,7,8

Elliptical Tank, 11

Fill Pipe, Hydrant, 10

Fittings, 11

High Pressure Centrifugal Pump, 2

Hydrant Fill Pipe, 10

Lid, 11

Lights, 11

Manifold, 12

Surge Brakes, 9

Tank, 11